



New FRIMO Sealing System for Foam Molds

Plastics
Technologies
in Motion.

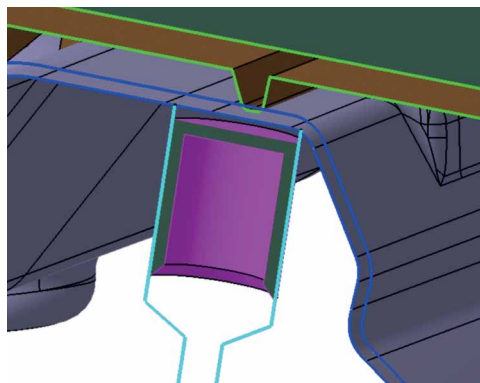
Low-Maintenance Foam Molds – Thanks to Our New Sealing System

FRIMO has developed a new sealing system for foam molds, which eliminates the disadvantages of conventional sealing systems. The new flexible end piece is charged with compressed air and thus achieves the desired lifting movement and contact pressure between skin and substrate. Because it has the same dimensions, it can directly replace the old end piece for inverted seal hoses without need for modification of the tool. The new end piece is also advantageous in applications with steep contour areas because it does not protrude beyond the clamping edge.



New Application in Foam Molds with DELTA BEAD Seal

According to individual requirements, the plastic carriers were modified in the sealing regions with DELTA BEAD functions to accomplish optimal degassing. A special sealing segment allows adjustment to occur via the foaming tool. The timing is controlled by the foam mold control.



Benefits

- No inverting of the hose necessary, the hose end is simply inserted into the bore
- Assembling is practically self-explanatory
- Quick change, even within a cycle
- Robust system, no moving parts and no internal sealing elements
- Seal expands over the entire length without interruption and is guaranteed to steadily shrink back to its original size
- Minimal adhesion to the foam mold due to the use of silicone

Brazil
China
Czech Republic
France
Great Britain
Hungary
Italy
Korea

Mexico
Russia
Scandinavia
Slovakia
Spain
Turkey
USA

FRIMO Media Center



FRIMO Group GmbH

Hansaring 1
49504 Lotte
Germany

info@frimo.com

www.frimo.com

